

The pump is suitable for civil and industrial uses to pump clean water and chemically non-aggressive liquid. They have a compact size and are extremely reliable, very simple to use and almost maintenance-free.

- **Pump body:** Cast iron
- **Impeller:** Brass (nylon if required)
- **Motor:** Closed, externally ventilated
- **Insulation class:** B (Class F if required)
- **Protection class:** IP44 / IP54
- **Duty:** Continuously rated
- **Mechanical seal:** $\phi 12$, $\phi 14$, $\phi 16$ ceramic steatite/graphite
- **Shaft:** Carbon steel AISI 1045 (Stainless steel AISI 420 if required)

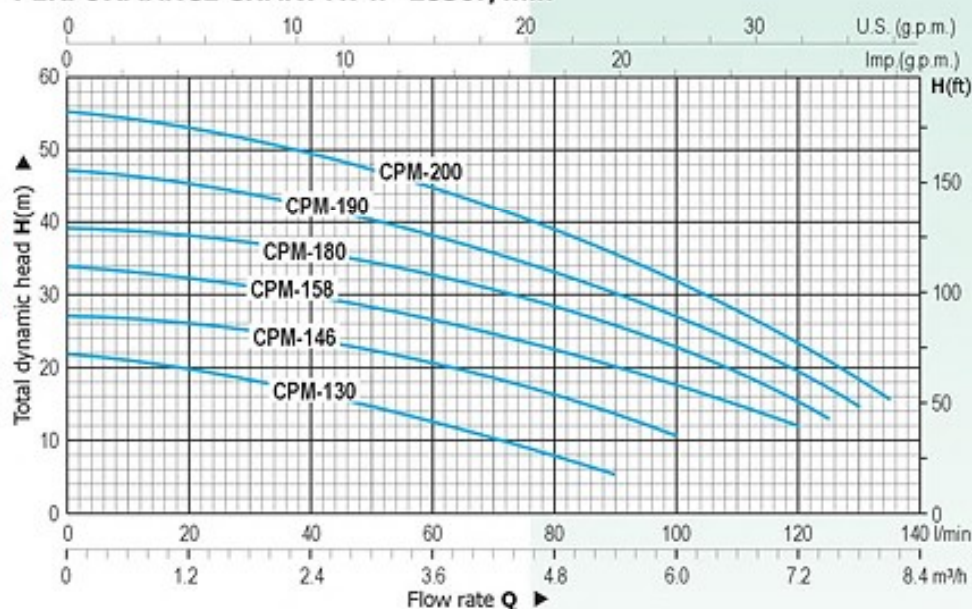
The normal power standard is 220V 50Hz single phase. Three phase 220/380V/50Hz, 220/440V/60Hz, Single phase 230V, 240V, 127V, 110V, 115V/60Hz models are available on request.



CPM Series

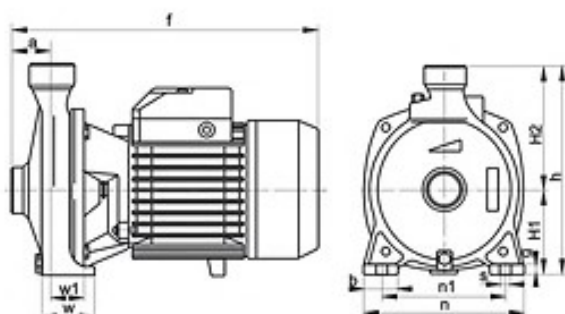


PERFORMANCE CHART AT $n=2850\text{r/min}$



PERFORMANCE DATA

TYPE	Power		Ampere		R.P.M	Q _{Max} (l/min)	H _{Max} (m)	S.Head (m)	Pipe Dia	L×W×H (mm)	N.W (kg)
	HP	kW	1~220V	3~380V							
CPM-130	0.5	0.37	3.0	-	2850	90	22	9	1"×1"	310×170×230	9.5
CPM-146	0.75	0.55	3.6	-		100	27			340×175×235	12.6
CPM-158	1	0.75	5	-		120	34			340×210×250	14.7
CPM-180/T	1.5	1.1	7.5	2.7		125	39			380×250×320	23
CPM-190/T	2	1.5	9.6	3.5		130	47			425×250×330	26
CPM-200/T	3	2.2	13.5	5		135	55				27



DIMENSIONS

TYPE	DIMENSIONS(mm)											
	a	f	h	H1	H2	n	n1	w	w1	b	g	s
CPM-130	43	264	215	90	125	165	135	52	41	32	9	10
CPM-146	44	298	226	94	132	174	144	58	43	33	10	10
CPM-158	44	298	226	94	132	174	144	58	43	33	10	10
CPM-180/T	51	340	290	115	175	230	200	80	50	40	10	11
CPM-190/T	51	340	290	115	175	230	200	80	50	40	10	11
CPM-200/T	51	340	290	115	175	230	200	80	50	40	10	11