

The **JET-S** series pumps are with an automatic ejector system, find many uses in domestic applications, gardens and supply water from wells, and so on.

These pumps are suitable for clean water and chemically non-aggressive liquid. They are very reliable, safe and simple to use.

- **Pump body:** Cast iron
- **Impeller:** Brass (noryl if required)
- **Motor:** Closed, externally ventilated
- **Insulation class:** B (Class F if required)
- **Protection class:** IP44 / IP54
- **Duty:** Continuously rated
- **Mechanical seal:** $\phi 12$ ceramic steatite/graphite
- **Shaft:** Carbon steel AISI 1045 (Stainless steel AISI 420 if required)
- **Thermal Protector**

The normal power standard is 220V 50Hz single phase.
 Three phase 220/380V/50Hz, 220/440V/60Hz,
 Single phase 230V, 240V, 127V, 110V, 115V/60Hz
 models are available on request.

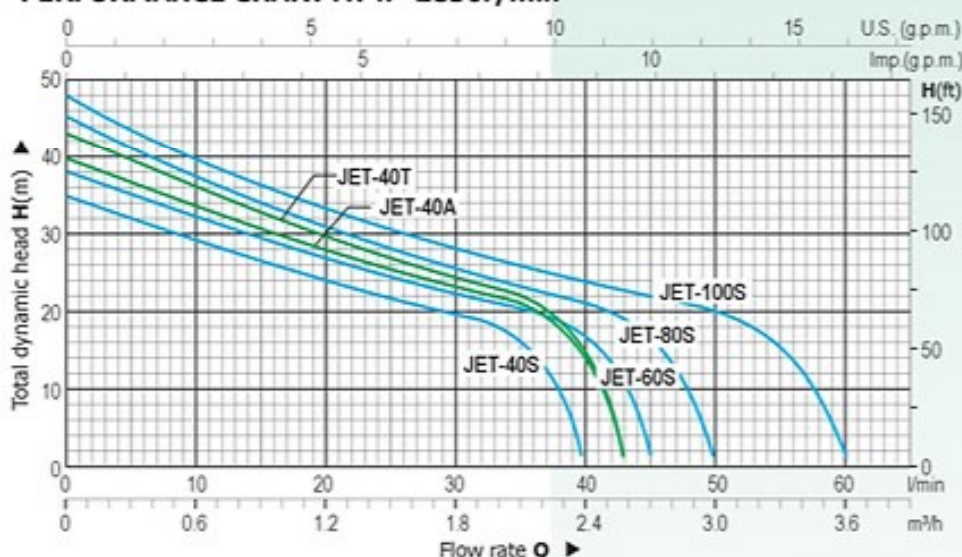


JET-S



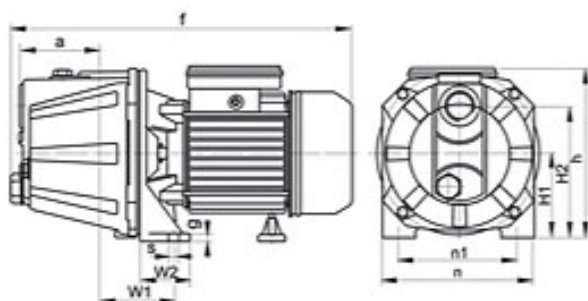
JET-40

PERFORMANCE CHART AT n=2850r/min



PERFORMANCE DATA

TYPE	Power		Ampere 1~220V	R.P.M	Q.Max (l/min)	H.Max (m)	S.Head (m)	Pipe Dia	L×W×H (mm)	N.W (kg)
	HP	kW								
JET-40S	0.45	0.33	2.7	2850	40	35	9	1"×1"	410×210×220	10.2
JET-60S	0.5	0.37	3		45	38				13.0
JET-80S	0.75	0.55	3.6		50	45				13.5
JET-100S	1	0.75	4.8		60	48				14.1
JET-40A	0.45	0.33	2.7		43	40				11.0
JET-40T	0.5	0.37	3		43	43				11.5



DIMENSIONS

TYPE	DIMENSIONS(mm)										
	a	f	h	H1	H2	W1	W2	n	n1	g	s
JET-40A	94	366	178	90	130	89	60	142	96	7	8
JET-60S	90	380	196	98	152	79	55	182	142	9	11
JET-80S	90	380	196	98	152	79	55	182	142	9	11
JET-100S	90	380	196	98	152	79	55	182	142	9	11